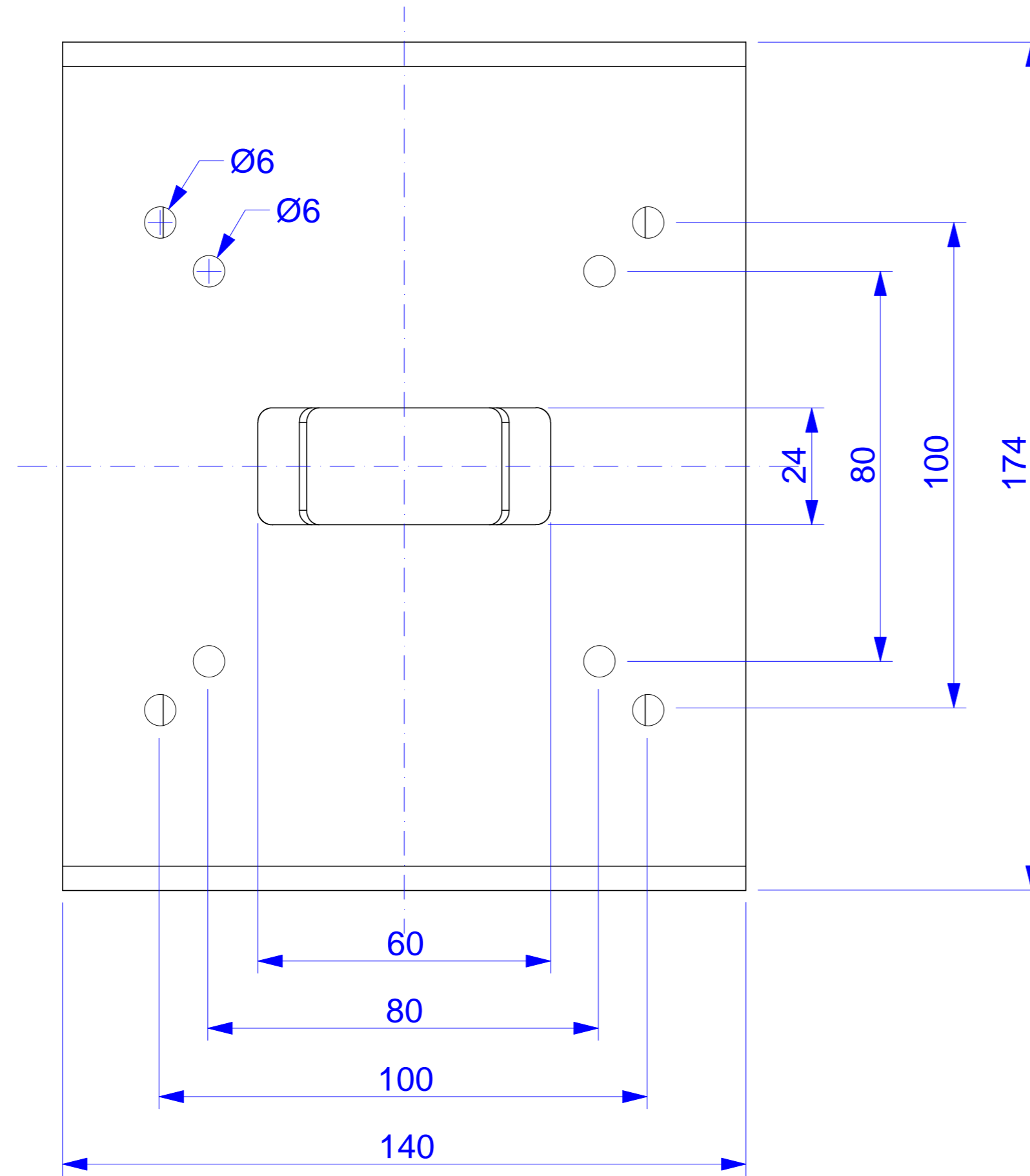
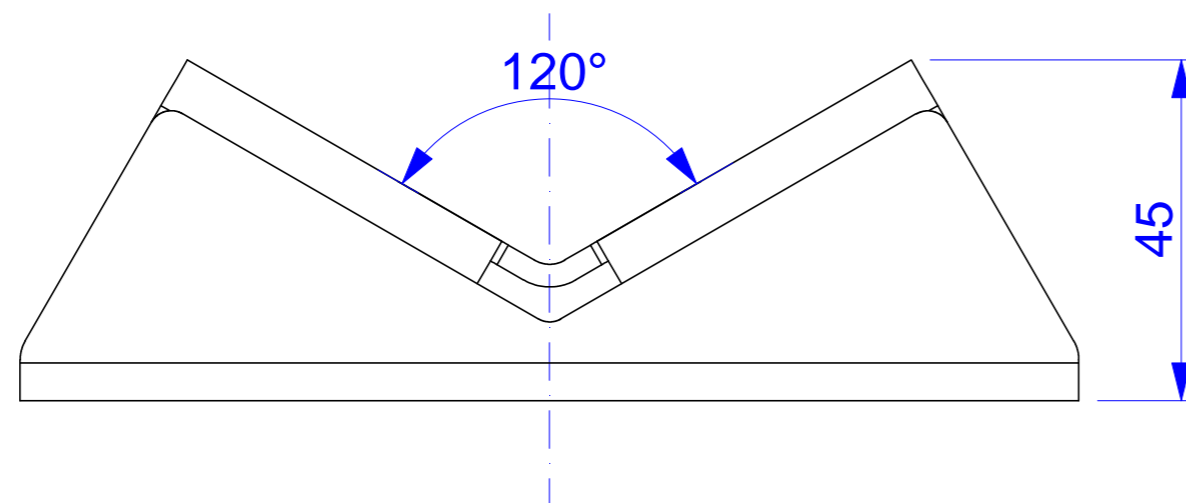


Front



Top



For internal use only. Technical specifications subject to change without notice. MOBOTIX does not assume responsibility for mistakes and recommends to verify measures and mechanical design with an actual product of the chosen MOBOTIX hardware. The reproduction, distribution and utilization of this document as well as the communication of its contents to others without express authorization is prohibited. Offenders will be held liable for the payment of damages. All rights reserved in the event of the grant of a patent, Utility model, design or trademark. No rights are transferred herewith.

All measures are in mm		Surface quality		Company	
				MOBOTIX AG	
Name		Signature		Date	
Drawn		SBe		13.07.17	
Tested					
Approved					
Production					
Quality				Material	
				Weight	
Product				M1x Pole Mount	
Drawing				DIN A2	
Scale 1:1				Page 1/1	